

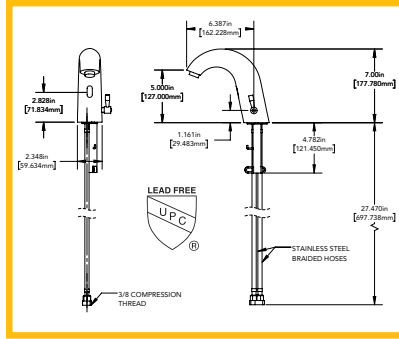


WASHROOM

TOUCHLESS FAUCET

Hands free electronic sensor faucet with temperature control lever

PART NUMBER: SDLF100



FEATURES

Water Savings: Response time 0.5 seconds

Hygienic: Keeps hands free from touching the faucet

Intelligent Sensor: Stops if water flows over 1 minute

Automatic Reset Sensor: Sensor resets in 10 seconds

Minimize Water Leakage: Stops working if batteries run out

Power Consumption: 4x "AA" batteries, 6 VDC

Operational: 2 years at 300 cycles a day

Installation: Single Hole

SPECIFICATIONS

Material: Durable Cast Lead Free Brass

Electrical Power: 4x "AA" batteries (6 VDC)

Water Pressure: 7.25 – 87 Psi (0.05 – 0.6 MPa)

Water Temperature: 0 – 176 °F (0 – 80 °C)

Ambient Temperature: 0.1 – 113 °F (0.1 – 45 °C)

Detection Range: 3.9 – 5.9 in (10 - 15 cm)

WARRANTY
1 Year Limited Warranty

CODES & STANDARDS
ASME A112.18.1/CSA B125.1

ADA ANSI/ A117.1
NSF/ANSI 372 Low Lead Content



SIMPLE LEVER FOR HOT & COLD WATER ADJUSTMENT

Specifications subject to change without notice.



SAME DAY
manufacturing + distributing

WORLD HEADQUARTERS

7350 Bolsa Avenue
Westminster, California 92683

(714) 379-2060

SAME-DAY.COM

© SAME DAY DISTRIBUTING INC.



REV. 06/06/2022